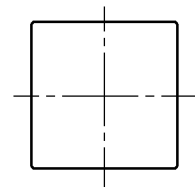
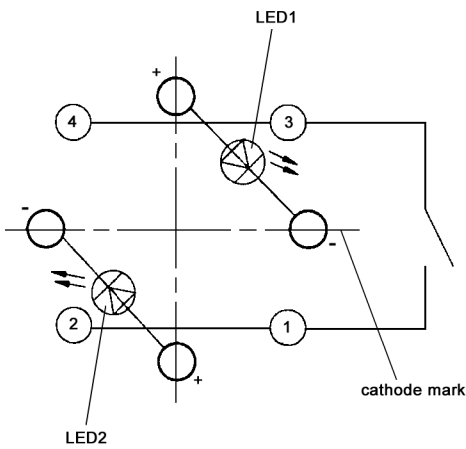
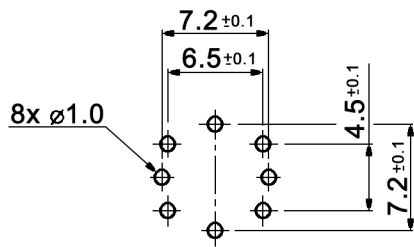


**CIRCUIT DIAGRAM
(TOP VIEW)**



**P.C.B. MOUNTING
(TOP VIEW)**



Tolerances: 0.00: ±0.25mm 0.0: ±0.40mm			Date	Name
			03/12	dr
Rename	12/12	dr	knitter-switch	
Modifications	Date	Name		

LP 10x2zA11

30 25 89

Page

1/2

Specifications:

Contact rating: max. 50mA, 24V DC; min. 1mA, 5V DC
 Contact resistance: 100mOhm max.
 Insulation resistance: 100Mohm min. at 250V DC
 Dielectric strength: 500V AC (50/60Hz) for 1 minute
 Operating temperature: -25°C to +70°C
 Electrical life: 500 000 cycles
 Operating force: 160 +/-20gf
 Soldering conditions: 260 +/-5°C, 5 +/-1sec.
 Travel: 0.25 +0.2/-0.1mm
 Switching function: momentary
 Material: Case / cover: PBT (UL94V-0)
 Actuator: PC
 Terminal: brass, silver plated
 Contacts: stainless steel, silver plated

x	Actuator colour	z	LED colours
0	transparent	B	red/blue
1	milky white	G	red/green

Dual colour LED:

Lens appearance	Colour	Electro-optical data (at 20mA)				Peak wavelength (nm)	Viewing angle
		Vf (V)		Iv (mcd)			
		Typ.	max.	Typ.	min.		
Water clear	red	2.0	2.5	95.0	50.0	635.0	150°
	green	3.3	3.7	280.0	200.0		
	blue	3.1	3.6	50.0	20.0		



Tolerances: 0.00: ±0.25mm 0.0: ±0.40mm		Date	Name	<h1>LP 10x2zA11</h1>
		03/12	dr	
		knitter-switch		<h2>30 25 89</h2>
				Page 2/2
Modifications	Date	Name		